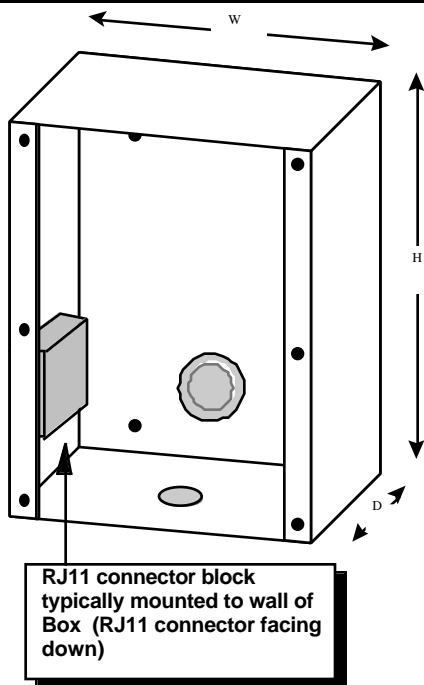


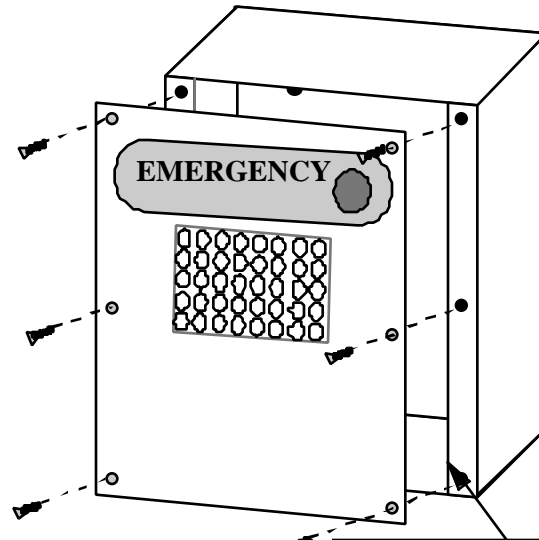
Installation of an MS-100 or MS-400 Recessed Box for 100 or 400-Series Flush Mount Call Stations

General Installation Notes

1. All installations must comply with all applicable Federal, State, and Local Electrical and Building Codes
2. To comply with the Americans With Disabilities Act (ADA), the top of the Box must conform with the dimensions in the tables below.
3. Mount the MS-400 or MS-100 Box into a Stud Wall, Cement Block, Brick, or other wall type. The Box must be flush with the finished wall surface so that the gasket on the phone to be placed into the Box seals properly.
4. There are three options for connecting the communication line conduit to the Box (see Figure 1):
 - d) Connect 1/2" conduit to the 7/8" conduit hole in the center of the bottom of the Box;
 - e) Remove the inner 7/8" conduit punch-out located on the back of the Box (centered 1 3/8" from the bottom edge) and connect 1/2" conduit to it;
 - f) Remove the entire 1 1/8" conduit punch-out located on the back of the Box and connect 3/4" conduit to it.
1. All cable pairs / conductors must be free of shorts, opens, and grounds. If auxiliary input and/or auxiliary output leads are to be used, they may be pulled through the same conduit as the communication cable.



RJ11 connector block typically mounted to wall of Box (RJ11 connector facing down)



Make sure Face Plate is flush with finished wall surface and that gasket seals properly for a weatherproof installation

Figure 1. MS-100/MS-400 Mounting Box

Figure 2. Flush Mount Face Plate

Important Dimensions

	MS-100 Box	MS-400 Box	Call Station Face Plate
Dimension 'W'	9 in.	8 3/8 in.	_____
Dimension 'H'	10 3/4 in.	11 1/4 in.	_____
Dimension 'D'	3 in.	3 in.	_____
ADA Compliant Maximum Box Height (Forward Reach)	51 in. above finished floor	49 3/4 in. above finished floor	_____
ADA Compliant Maximum Box Height (Side Reach)	57 in. above finished floor	55 3/4 in. above finished floor	_____
ADA Compliant Maximum Height to Top of Top Button (Forward Reach)	_____	_____	40 in. above finished floor
ADA Compliant Maximum Height to Top of Top Button (Side Reach)	_____	_____	54 in. above finished floor