

K-S-112X MOD 14 INSTALLATION & OPERATION MANUAL

The K-S-112X MOD 14 is designed to work with Talk-A-Phone Automation Masters (TAP-1, TAP-6 and those masters that use TAP-200 or TAP-200C amplifiers.) If you are using a Manual Master (e.g. KB-ML-10WA), you must use the standard K-S-112X.

CONNECTING ONE OR MORE K-S-112X MOD 14'S ON SEPARATE CHANNELS

Run an individual line of Model 6305 (1 shielded pair + 1 unshielded pair) cable from each K-S-112X to Master as shown in Figure 1. Connect the two terminals marked T#B & T#G to similar terminals on the Master's junction box using the shielded pair. If your master does not use a junction box, connect these terminals instead to the appropriate terminals on the Master (usually LB & LG).

Next connect the W#B and W#G terminals to similar terminals on the Master's junction box using the unshielded pair. If you are using a master without a junction box, connect this pair to the Signal terminals (usually S1 & S2).

If you wish to be able to initiate a call to the K-S-112X MOD 14, you will have to connect a sub-station speaker such as the S-8318B ceiling speaker or K-C-20 horn speaker. Connect this sub-station to the K-S-112X MOD 14 at the SPEAKER terminals.

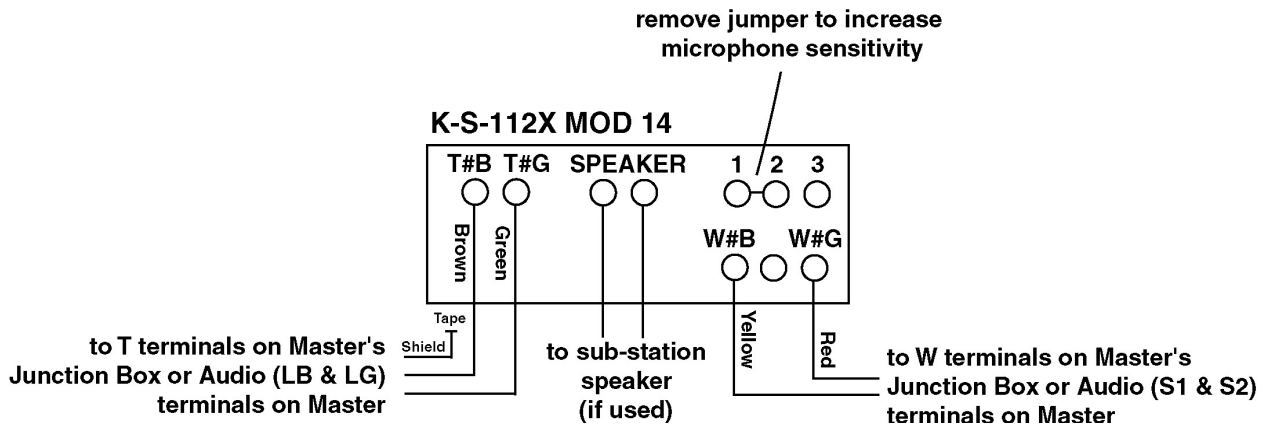


Figure 1. Connecting a K-S-112X MOD 14 on its own channel

CONNECTING MULTIPLE K-S-112X'S ON THE SAME CHANNEL

Connect one K-S-112X MOD 14 to another in series, as shown in Figure 2, using Model 6305 (1 shielded pair + 1 unshielded pair) cable. The audio lines must be

K-S-112X MOD 14 INSTALLATION/OPERATION

daisy-chained, while the signal lines must all be connected in parallel back to the master.

Connect the two terminals marked T#B & T#G on the first K-S-112X MOD 14 to similar terminals on the Master or Master's junction box using the shielded pair. Then connect

a pair from the SPEAKER terminals on the first K-S-112X MOD 14 to the T#B & T#G terminals on the second K-S-112X MOD 14. Continue in this fashion until the last K-S-112X MOD 14. On the last unit in the chain, connect the SPEAKER terminals to a sub-station speaker (if used).

The W#B & W#G terminals must all be home-run in parallel back to the W terminals on the Master's junction box, or the signal terminals (usually S1 & S2) on Master's that do not use a junction box. Use the unshielded pair for these connections.

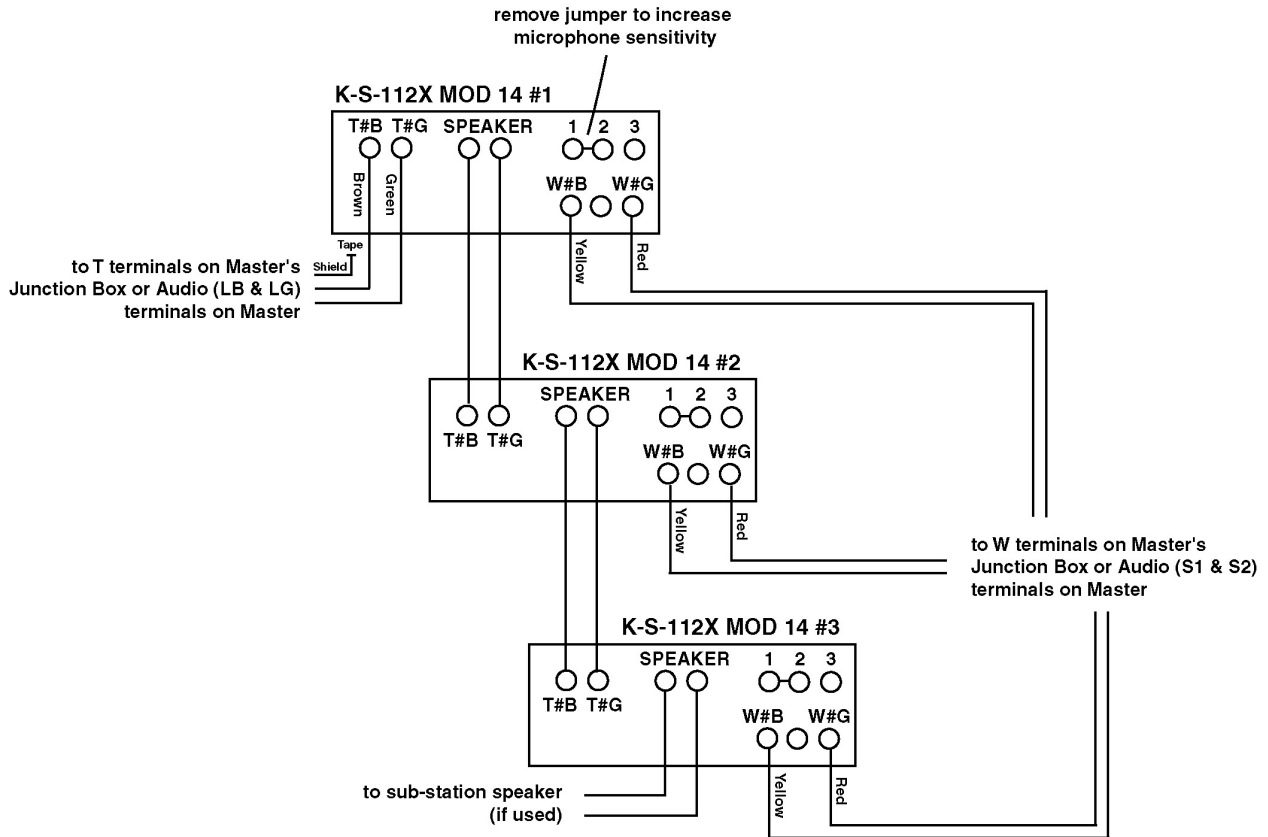


Figure 2. Connecting multiple K-S-112X MOD 14's in series to the same channel

SPECIAL INSTRUCTIONS FOR HANDS-FREE MASTERS

K-S-112X MOD 14 INSTALLATION/OPERATION

All Automation Masters (those using TAP-200 or TAP-200C Amplifiers or TAP-1 or TAP-6 Masters) must Remove the 10 ohm, 10 watt resistor from terminals LB and LG on the TAP-200/TAP-200C Amplifier or TAP-1/TAP-6 Master. Instead, install a 10 ohm resistor of this type across the **audio** cable line going to each speaker sub-station in the system. (NOTE: Do not attach a resistor to **signal line** of sub-stations with call switches). The K-S-112X will not function in Automation systems using speaker sub-stations if this step is not taken.

ADJUSTING MICROPHONE VOLUME

As shipped, the K-S-112X has a jumper installed across the 1 and 2 terminals. To increase microphone sensitivity, remove this jumper.

OPERATION WITHOUT A SPEAKER SUB-STATION

The station selector button on the Master that has been assigned to the K-S-112X's must be kept on at all times. However, when the handset is on its rest, the K-S-112X remains silent. Any K-S-112X can call the Master unit by lifting the handset and speaking into the mouthpiece. The master can respond and carry on a two-way conversation.

OPERATION WITH A SPEAKER SUB-STATION

Receiving Calls

When the handset of the K-S-112X is on its rest, the system is idle and incoming calls are received through the speaker if one is in use. Lifting the handset from its rest automatically disconnects the speaker and directs both incoming and outgoing voice only through the handset. Once the Master has established communication, no controls need be operated at the K-S-112X.

Originating Calls

Calls can be originated from the K-S-112X simply by lifting the handset from its rest. Once the Master has answered two way communication may begin.

TROUBLESHOOTING

If the K-S-112X MOD 14 does not function, check all wiring and **with systems utilizing TAP-200 or TAP-200C Amplifier, or TAP-1 or TAP-6 Master**, check that the 10 ohm resistor has been removed from terminals LG and LB on the TAP-200 or TAP-200C and that 10 ohm resistors have been placed across the audio lines (and not switch lines) of the Speaker Sub-Stations as described above.