



VELA Industrial

Listed to
ANSI/UL 325

**ELECTRO-HYDRAULIC BARRIER FOR PARKINGS AND INDUSTRIAL ENTRANCES WITH OPENING TIME FROM 8 SEC. TO 12 SEC.;
MAX BEAM LENGTH 24,6 FEET; HYDRAULIC SLOWDOWN IN OPENING AND CLOSING.**

Silent & Safe

The Vela Industrial hydraulic power units contains the electric motor, fluid pump and valve/distribution block. A double action hydraulic piston drives the spring balanced beam assembly.

The beam hydraulically locks in the open and closed position

Manual Release

In case of a power failure: The unit can be put on to manual operation using the special key supplied.



OPERATOR SPECIFICATION

Supply voltage	115 Vac ± 5%
Motor current	2 A
Pump capacity	0,52 Gal
Thermal protection intervention	266°F
Operating temperature	-43°F +131°F
Opening times	8 ÷ 12 sec
Beam length	24,6 Feet
Cabinet finish	verniciatura a polvere
Weight with oil	160 Pound
Oil quantity	0,39 Gal
Duty / Cycle	Intensive

DESCRIPTION	COD	PUMP Gal.
-------------	-----	-----------

PAINTED VELA OPERATOR AND ACCESSORIES WITH BALANCING SPRING AND BUILT-IN ELECTRONIC CONTROL UNIT FOR BEAM OF 16,4 FEET	117AC4R05M	0,52
--	-------------------	-------------

PAINTED VELA OPERATOR AND ACCESSORIES WITH BALANCING SPRING AND BUILT-IN ELECTRONIC CONTROL UNIT FOR BEAM OF 19,7 FEET	117AC4R06M	0,52
--	-------------------	-------------

PAINTED VELA OPERATOR AND ACCESSORIES WITH BALANCING SPRING AND BUILT-IN ELECTRONIC CONTROL UNIT FOR BEAM OF 23 FEET	117AC4R0	0,52
--	-----------------	-------------

PAINTED VELA OPERATOR AND ACCESSORIES WITH BALANCING SPRING AND BUILT-IN ELECTRONIC CONTROL UNIT FOR BEAM OF 24,6 FEET	117AC4AR01	0,52
--	-------------------	-------------

**ELECTRONIC
CONTROL UNIT FOR
VELA Industrial Cod. 2302A110**

NOTE: On request we can supply the inox steel casing.

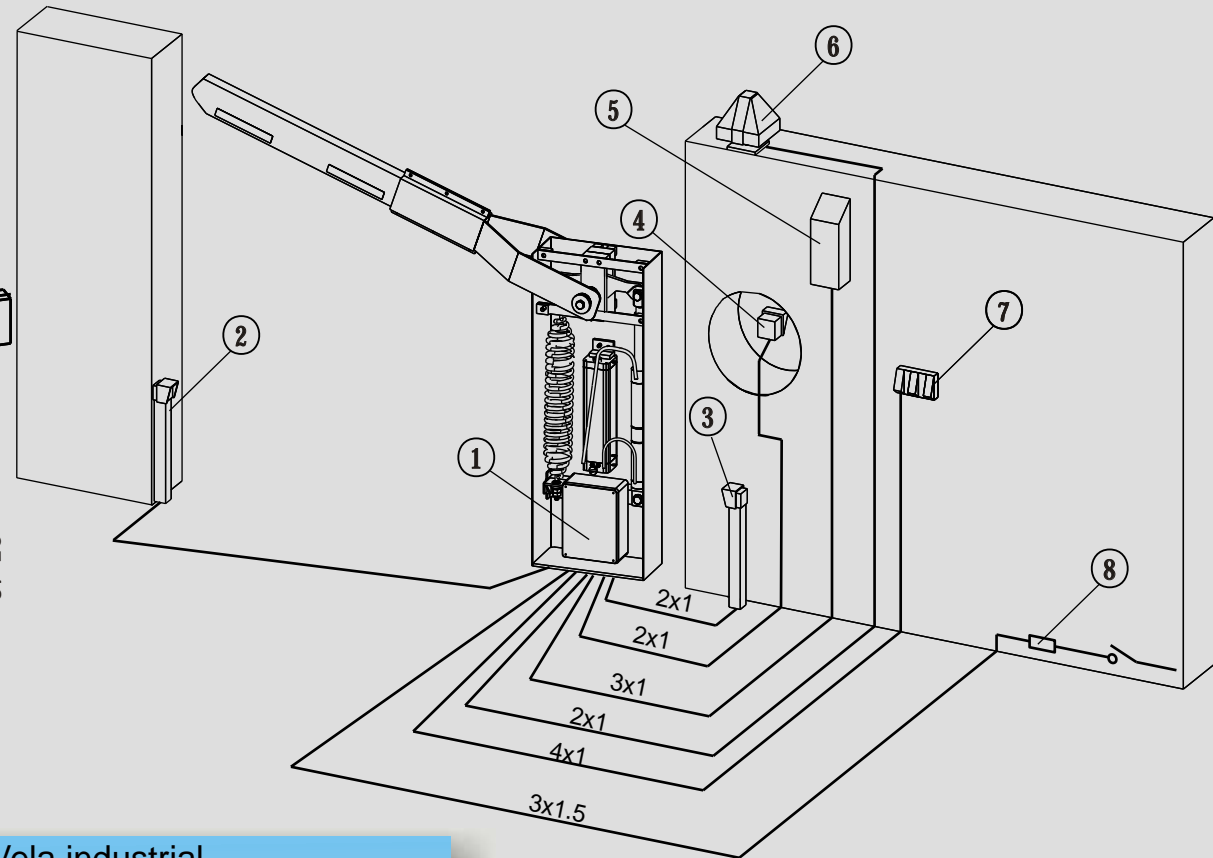
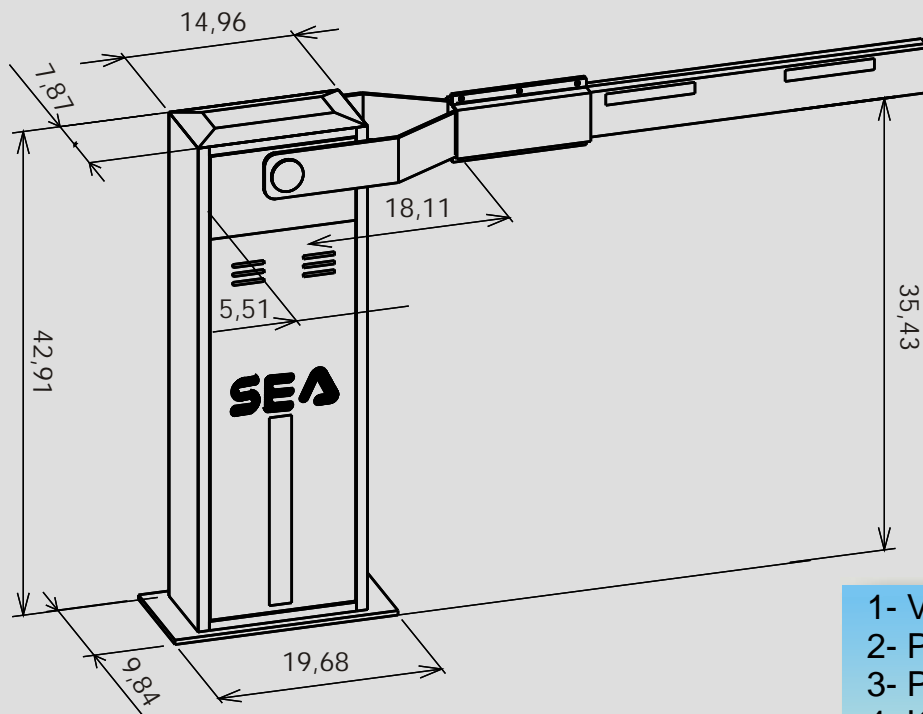


BEAMS

DESCRIPTION	COD	DESCRIPTION	COD
RECTANGULAR RIGID BEAM 16,4 FEET (BEAM FEET 14,76 + SUPPORT)	11905005	RECTANGULAR RIGID BEAM 23 FEET (BEAM FEET 21,32 + SUPPORT)	11905015
RECTANGULAR RIGID BEAM 19,68 FEET (BEAM FEET 18,04 + SUPPORT)	11905010	RECTANGULAR RIGID BEAM 24,6 FEET (BEAM FEET 23 + SUPPORT)	11905020



Typical Installation



- 1- Vela industrial
- 2- Photocell Rx
- 3- Photocell Tx
- 4- Keyswitch
- 5- Radio receiver
- 6- Warning light
- 7- Push button panel for internal
- 8- Differential switch