



LIBRA Full Tank

Listed to
ANSI/UL 325

ELECTRO-HYDRAULIC OPERATOR FOR SWING GATES, FOR RESIDENTIAL AND INDUSTRIAL USE AND VERY INTENSIVE WORK

Max leaf length 23 feet

Strong and Silent

The Libra Full Tank has been planned in accordance with standards of silence, reliability, anticrush safety granted by setting valve for the max thrust regulation of the system, **adjustable brake in closing**. New positive stops are available for a perfect alignment of the leaves in closing.

Gates can be securely locked in both the open and closed position using the operators internal hydraulic locking system. For gates leaf longer than 12 feet, non hydraulic locking operators should be used in conjunction with a separate electric locking device.

Manual Release:

The operator's internal hydraulic locking feature can be released using a special key, in case of power failure.



Positive stop



OPERATOR SPECIFICATION	
Supply voltage	115 Vac ± 5%
Motor current	2 A
Pump capacity	0.26/0.39/0.52
Max working pressure - pump 1,5lt	40 bar
Operating temperature	-43°F +131°F
Thermal protection intervention	266°F
Max leaf length	23 feet
Max leaf weight	2200 pound
90° opening time	11 to 20 sec
Cycle/hour	90
Shipping weight	18,7 pound

Libra 100



Libra 200

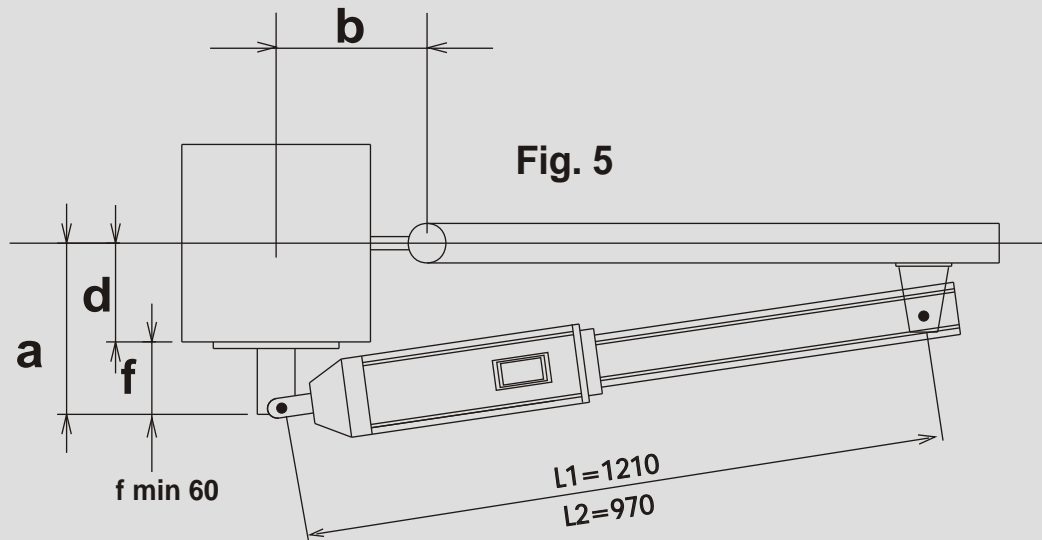


DESCRIPTION	COD	LOCK TYPE	PUMP Gal.	STROKE IN.
LIBRA FULL TANK 100 NORMAL (without brake)	106AC2S0	AC (opening and closing)	0,26	10,62
LIBRA FULL TANK 100 STANDARD (with adjustable brake in closing)	106AC3S0	AC (opening and closing)	0,39	10,62
LIBRA FULL TANK 100 FAST (with adjustable brake in closing)	106AC4S0	AC (opening and closing)	0,52	10,62
LIBRA FULL TANK 200 LARGE (with adjustable brake in closing)	107SB2S0	SB (without lock)	0,26	15,35
LIBRA FULL TANK 200 EXTENDED (with adjustable brake in closing)	107AC4S0	AC (opening and closing)	0,52	15,35
DESCRIPTION	COD	LOCK TYPE	PUMP Gal.	STROKE IN.
KIT FULL TANK 100 NORMAL	106AC2S0K	AC (opening and closing)	0,26	10,62
KIT FULL TANK 100 STANDARD	106AC3S0K	AC (opening and closing)	0,39	10,62
KIT FULL TANK 100 FAST	106AC4S0K	AC (opening and closing)	0,52	10,62
KIT FULL TANK 200 LARGE	107SB2S0K	SB (without lock)	0,26	15,35
KIT FULL TANK 200 EXTENDED	107AC4S0K	AC (opening and closing)	0,52	15,35

**ELECTRONIC CONTROL UNIT
FOR FULL TANK Cod. 2302A110**



Typical Installation

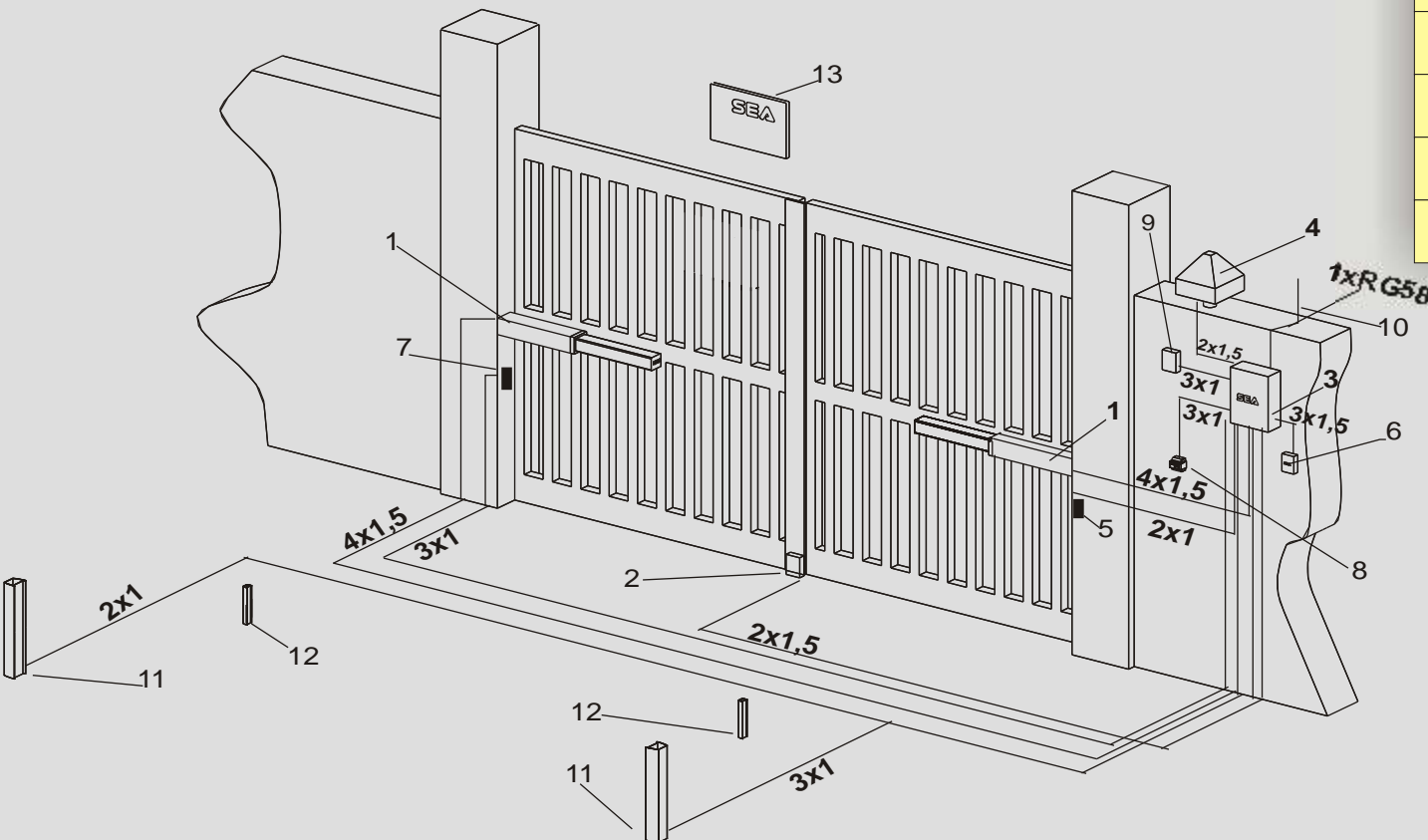


STROKE 15,35 In.

LIBRA 200	Leaf length In.	a In.	b In.	d max In.	Stroke for 90° In.	Max opening angle <°
	47,24	70,86	7,87	7,48	5,51	15,35
47,24	70,86	8,66	6,29	6,29	15,35	90°
47,24	70,86	10,23	4,72	7,87	15,35	90°
70,86	98,42	7,87	7,48	5,51	15,35	90°
70,86	98,42	8,66	6,29	6,29	15,35	90°

STROKE 10,62 In

LIBRA 100	Leaf length In.	a In.	b In.	d max In.	Stroke for 90° In.	Max opening angle <°
	39,37	70,86	3,93	3,54	1,96	7,48
70,86	98,42	4,33	3,93	2,36	8,26	115°
98,42	118,11	4,72	4,33	2,75	9,05	115°
118,11	137,79	5,11	4,72	3,14	9,84	100°
137,79	157,48	5,51	5,11	3,54	10,62	90°
157,48	177,16	5,11	4,72	2,75	9,84	105°
177,16	196,85	5,51	4,72	3,14	10,23	95°
196,85	236,22	5,51	5,11	3,54	10,62	90°



- 1-Electro-hydraulic operator
- 2-Electric locking
- 3-Electronic control unit
- 4-Warning light
- 5-Photocell Rx
- 6-Differential Switch 16A 0,03A
- 7-Photocell Tx
- 8-Keyswitch
- 9-Radio receiver
- 10-Antenna
- 11-Photocell support
- 12-Open and close stop
- 13-Warning plate