



DH97 Floor Reflection Method (FRM) Active Infrared Presence Detector

SENSORS & SWITCHES



Product Name
DH97 Floor Reflection Method (FRM) Active Infrared Presence Detector

Manufacturer
MS Sedco
8701 Castle Park Drive
Indianapolis, IN 46256
Phone: (800) 842-2545
(317) 842-2545
Fax: (800) 849-3387
(317) 849-3387
Email: custsvc@mssedco.com
www.mssedco.com

Product Description
BASIC USE
The DH97 is a 4-row presence sensor designed for safety applications. Whether using it for swinging, sliding, folding or revolving doors, the DH97 is compatible with any manufacturer's operator or lockout relay.

The DH97 is based on the most reliable active infrared technology available—Floor Reflection Method (FRM). With FRM up to 32 individual detection zones are precisely reflected off of the floor in a rectangular pattern meeting and exceeding ANSI/BHMA A156.10 guidelines for power operated pedestrian door safety zones. The detection zone density of this detector actually increases as the pattern adjusts to its

narrowest setting. NO LENSES—NO ZONE MASKING IS NECESSARY.

Width and depth are both mechanically adjustable. In addition, depth can be altered electronically. Other electronic adjustments such as 4 presence timer settings, 4 frequency settings and interior/exterior modes are available without the use of proprietary set-up devices.

A complete swing or fold door safety system also requires a lockout relay (RL-2) and, with one way traffic, the use of a safety beam (DB11/GD11S/AccuGuard BP2). Consult ANSI/BHMA A156.10.

- Technical Data
• Floor Reflection Method (FRM) Active Infrared Technology
• One Sensor Covers Any Safety Zone Application (Swing, Fold or Slide Doors)
• Up To 32 Detection Zones
• Mount Up To 10' (3m) High
• Mechanical Width Settings (From 36" To Over 7')
• Electronic Depth Adjustment From 4 to 1 Rows (Also 5 Tilt Settings)
• Quick-Connect Wiring (Harness Included)
• Easy To Interface With Any Lockout Relay
• Four Presence Timer And Frequency Settings
• 12V to 24V AC or DC Operation
• Form C Dry Relay Contact (N.O., COM, N.C.)
• Safety Beams May Be Required on Some Slide Door

Applications. Consult ANSI/BHMA A156.10

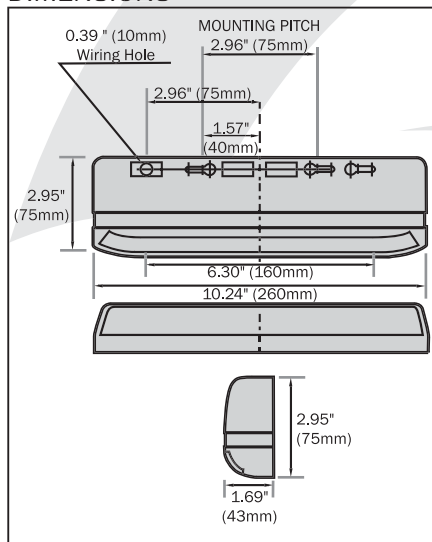
SPECIFICATIONS

Table with specifications: Model (DH97), Detection Method (Floor Reflection Method (FRM) Active Infrared), Max. Installation Height (10 Feet (3m)), Sensitivity Adjustment (Variable (via potentiometer)), Detection Area Adjustment (Pattern Width (36" to over 7'), Pattern Depth (4 to 1 Rows + tilt settings of 0° to 10° in 5 steps)), Power Requirements (12V to 24V AC or DC ± 10%), Power Consumption (AC24V-3VA, AC12V-3VA, DC24V-75mA, DC12V-150mA), Output Contact (Form C Relay: DC50V 0.1A Resistor Load), Output Holding Time (Approx. 0.5 Seconds), Presence Timer (2, 15, 60 or 180 Seconds Programmable Via Dip Switch), Operation Indication (Red LED = Detection, Green LED = Monitoring Area, Orange LED = Abnormal Oscillating Between Red/Green=Fault), Enclosure Rating (IP54 (IEC60529)), Temperature Range (-4° F to 140° F (-20° C to 60° C)), Weight (Approx. 0.8 lbs. (0.35 kg)), Cover Color (Black), Accessories (Cable: 10 ft. (3m))

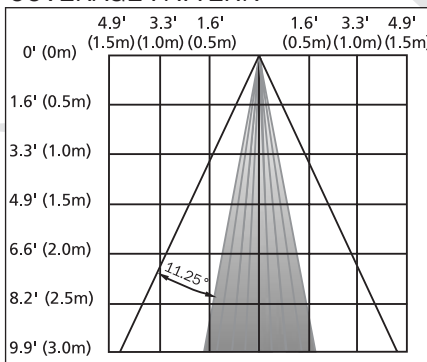
DH97 Floor Reflection Method (FRM) Active Infrared Presence Detector

SENSORS & SWITCHES

DIMENSIONS

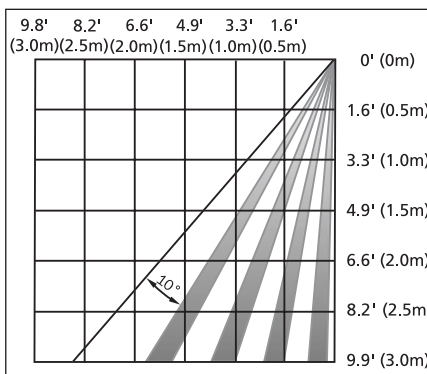


COVERAGE PATTERN



Wide Pattern @ Maximum
10' (3m) Wide

Narrow Pattern @ Maximum
4' (1.2m) Wide



Wide Pattern @ Maximum
6.6' (2m) Deep

Narrow Pattern @ Maximum
6.6' (2m) Deep

(These detection patterns are approximate and will vary slightly. Walk-test the unit to assure the pattern desired.)

Availability & Cost

AVAILABILITY

Available internationally from manufacturer's authorized distributors; contact MS Sedco for the location of nearest distributor.

COST

Cost information on MS Sedco products is available from the manufacturer's authorized distributors.

Warranty

A three year warranty is available from the manufacturer covering defects in materials and workmanship. Contact MS Sedco for details.

Maintenance

MS Sedco recommends that all maintenance and adjustments be performed by an AAADM Certified Technician.

Technical Services

MS Sedco's staff of factory trained sales and service personnel offer design assistance and technical support. Local distributors are also available to assist in selecting appropriate devices for specific uses and to provide onsite installation.

Filing Systems

- Sweet's
- Additional product information is available from the manufacturer upon request.

APPLICABLE STANDARDS

American National Standards Institute (ANSI) - Building Hardware Manufacturers Association (BHMA) - ANSI/BHMA A156.10.

Enclosure Rating IP54 (IEC60529)

APPROVALS

CE

Installation

SETUP AND ADJUSTMENT

The DH97 installs easily. Simple amp connectors make wiring fast. A side lever allows pattern width to be adjusted from wide to narrow and the body of the sensor can be tilted to adjust pattern depth. The indicator LED is clearly visible with the cover on. An 8 position dip switch allows the installer to adjust the presence timer, pattern depth, frequency, monitoring modes.