



Heavy Duty Industrial Hydraulic Slide Gate Operator

222 SS

THE CONCEPT OF THE fixed-rail hydraulic slide gate operator was pioneered by **Hy-Security** over twenty years ago, and today our state-of-the-art **222 SS** is the most reliable, highest quality gate operator on the market. From its premium triple-voltage electric motors and instant-release, precambered drive, to its uni-body chassis construction and superior five step baked-on powder paint finish, the **222 SS** is engineered and tested to a level not available from any other manufacturer. Add in our five year warranty, and it's easy to see why **Hy-Security** Gate Operators is the industry leader.



Features:

- **Hydraulic Operation**
No gears, chains, sprockets, belts, clutches, brakes or rotary limits to maintain
- **1.2 Feet Per Second Travel**
- **Soft Stop Standard**
To prolong the life of the installation
- **Corrosion-Resistant Finish**
High gloss five-step powder paint finish
- **Flexible 24-Volt Control Circuit**
- **Available for all standard line voltages**
- **Five-Year Limited Warranty**
- **Heavy Duty Components**
One-HP motor, 300-lb Draw Bar Pull, handles gates up to 1000 pounds, continuous operation
- **Battery Powered Models**
All 222 operators are available with 24VDC motors and uninterruptable power supplies

Other Models Available:

Call to request model-specific cut sheets

- **222 E**
Adds adjustable brake valves, for gates weighing up to two tons
- **222 EX, X1**
Two-HP for 2 feet per second speed, or 1 foot per second for gates weighing up to four tons
- **222 CF, CE, CX Correctional Facilities Models**
Adds extra features for correctional facilities
- **444 XS**
1,200-lb Draw Bar Pull for extremely heavy gates



Hy-Security Gate Operators

Phone: 1-800-321-9947

FAX: (206) 286-0614

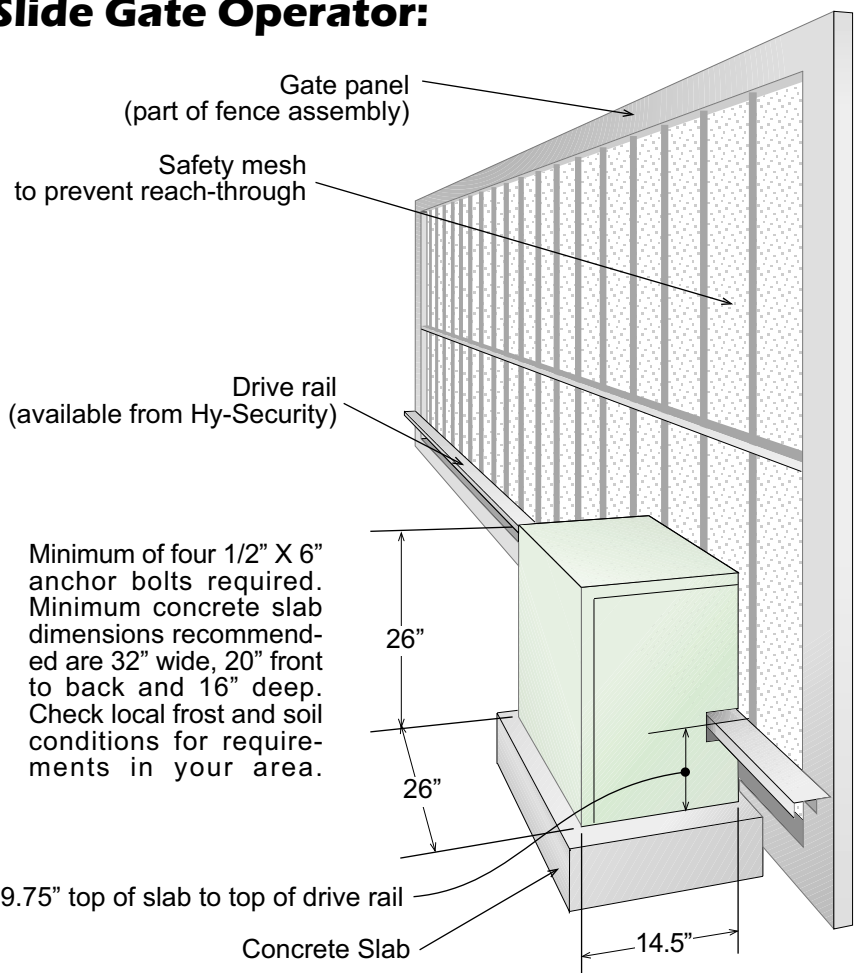
Internet: www.hy-security.com

E-mail: Info@hy-security.com

Particulars of the 222 SS Slide Gate Operator:

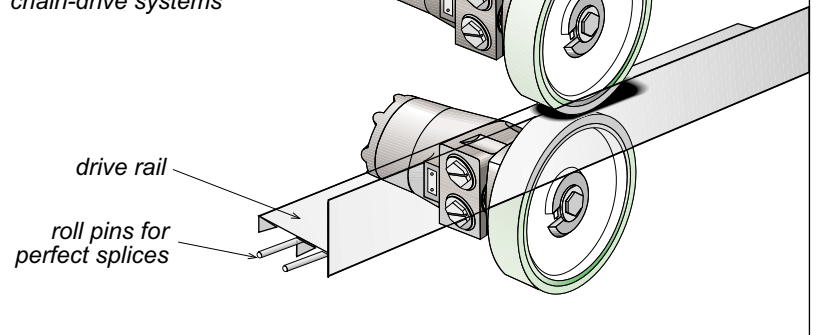
- This gate operator has been in production for over ten years.
- The 222 SS has been tested to one million cycles without failure.
- Operation is by means of a rigid metal rail passing between two wheels, each driven by its own hydraulic motor.
- Minimum gate speed is 1.2 feet per second.
- The drive assembly is mounted on 1/4" thick steel channel.
- Grip on the rail is adjustable without the use of tools, and capable of instantly releasing the drive wheels from the rail.
- Drive assembly support arms are cast aluminum with reinforcing ribs to prevent excessive flexion. The arms pivot on a 3/4" diameter stainless steel shaft, with bronze bushings.
- Mounting bolts are concealed in the interior of the operator.
- Minimum pull of 300 pounds
- *Soft stop* feature prevents shock loads to the gate and drive.
- Limit switches read the true position of the gate.
- Chassis is formed steel plate, and incorporates unibody construction to assure structural integrity.
- Cover is galvanized sheet metal.
- Cover and chassis are finished with a five step baked-on powder paint job to provide excellent corrosion resistance.
- All components are designed for easy removal during service.
- Hydraulic hoses and electrical cords are fitted with quick disconnect ends.
- Hydraulic system features the latest technology, modular manifolds and individually replaceable cartridge valves.
- Fully compatible with all standard access control equipment.
- Accessories include heaters, timers, detectors, photo eyes, gate edges, remote gate releases, and master/slave units.

Fully-formatted specifications and detailed drawings are available upon request.



Power transmission: hydraulic motors to drive rail

Polyurethane drive wheel tread eliminates the high wear metal-to-metal contact of conventional chain-drive systems



distributed by:



manufactured by:

Hy-Security Gate Operators
PO Box 31532 • Seattle, Washington 98103