



MEGA ARM-UL™

NEXT GENERATION PARKING GATE WITH INHERENT BACKUP POWER

"No power?
No problem!"



LISTED 4P92



Optional full length Aluminum Tower

STANDARD FEATURES

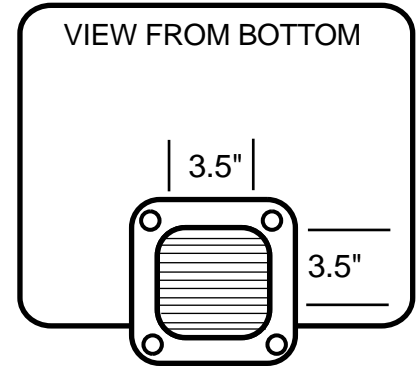
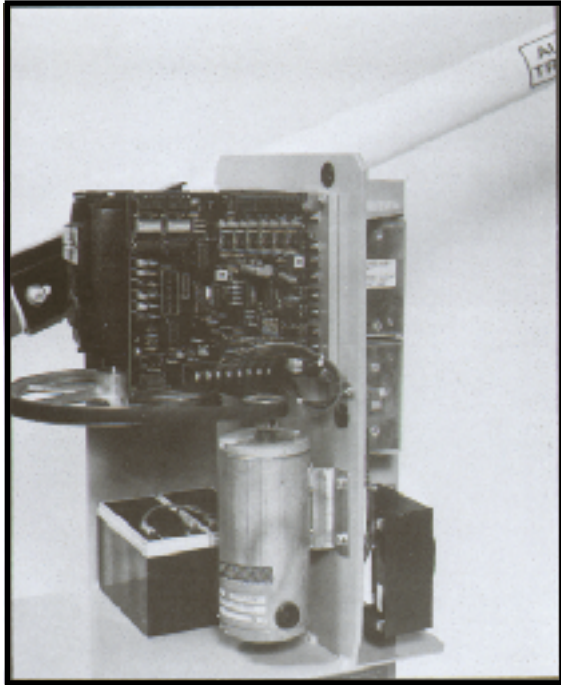
- BUILT IN BATTERY BACKUP POWER SOURCE
- HIGH TORQUE 1/3 HP 24 VOLT DC MOTOR
- MICROPROCESSOR (RISC) CONTROL BOARD
- OPENS ON POWER FAIL WITH 15 SEC. DELAY
- BREAK AWAY FEATURE FOR ALUMINUM ARM
- RUST PROOF T-6 ALUMINUM ALLOY CHASSIS
- MOLDED POLYETHYLENE COVER-UV STABLE
- IRD SENSES OPEN AND CLOSE OBSTRUCTIONS
- MULTIPLE VEHICLE MEMORY-BARCODE, ETC...
- SOFT START AND STOP MOTION CONTROL
- NO LIMIT SWITCHES-USES MAGNETIC SENSORS
- DYNAMIC MOTOR BRAKING-ELECTRONIC
- CONFIGURABLE AS MASTER OR SLAVE
- LED INPUT AND DIAGNOSTIC INDICATORS
- MOSFET MOTOR DRIVE-NO CONTACTORS
- SAFE LOW VOLTAGE CONTROL CIRCUITRY
- MAXIMUM RUN TIMER (MRT)
- U.L.-LISTED (U.S.), C.U.L. LISTED (CANADA)

DC SOLUTIONS, INC.

WWW.DCSOLUTIONSINC.COM

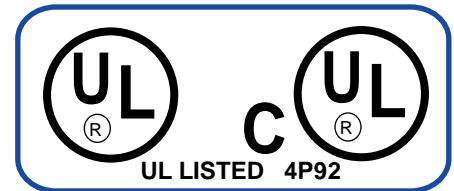
MODEL MEGA ARM PARKING GATE OPERATOR

The MEGA ARM by DC SOLUTION, INC. was made to be unique in the industry through innovative design and solid engineering. Its single State of the Art universal electronics control board eliminates the need for mechanical limit switches, relays and contractors. Arm position is limited by a magnet mounted on the drive shaft, which is sensed by two magnetic sensors on the electronics controller. Its full service controller is capable of accepting inputs from telephone entry, loop detectors, card readers, push buttons, barcode scanners and is equipped with multiple vehicle memory buffer. Built in regulated 24 VDC backed up power provided for accessories (detectors, receivers, card readers). The standard break away arm design can allow the arm to be reused many times. Finally, its modern design and cutting edge technology will make the MEGA ARM the perfect choice for all your parking control applications.



CONFINE RIGID CONDUITS TO
3.5" X 3.5" OPENING IN BASE

UL-325



DESIGN FEATURES

- UNIVERSAL CONTROLLER WITH 8 INPUTS
- MICROPROCESSOR (RISC) ELECTRONICS
- RIGHT OR LEFT HANDED OPERATION
- SAFETY-STOP TAIL GATE FEATURE
- ABILITY TO AUTO OPEN WHEN POWER FAILS
- TRANZORB SURGE PROTECTION ON INPUTS
- CLOSING TIMER ADJUSTABLE 1-33 SECONDS
- ACCEPTS 14' SOFT PADDED GATE ARM (AVAIL)
- 270° SERVICE ACCESSIBILITY
- PROGRAMMABLE OUTPUT RELAY-OPTIONAL
- 2.5 SECOND UP / DOWN SPEED-APPROX.
- ROOM FOR FUTURE *OVERDRIVE* CPU
- TAIL GATE ALARM - SENSES TAILGATING

DISTRIBUTED BY:

SPECIFICATIONS

- PERMANENT MAGNET 24 VDC MOTOR, 1800 RPM
- 110 / 220 VAC AT 4 / 2 AMPS MAX. 50/60 HZ
- REGULATED 24 VDC 500 MA ACCESSORY POWER
- BATTERY BACKUP FOR ACCESSORY POWER
- DUTY CYCLE RATED AS CONTINUOUS
- HEAVY DUTY DIRECT DRIVE 60:1 GEAR REDUCER
- SYNTHETIC ALL WEATHER GEAR LUBRICANT
- 12 FT. OR 15 FT. ALUMINUM GATE BOOM (ARM)
- CHASSIS: 1/4 INCH T-6 ALUMINUM ALLOY
- FINISH: GLOSS WHITE POWDER COAT STANDARD
- DIMENSIONS: 41" HIGH, 13.75" WIDE, 16" DEEP
- SHIPPING WEIGHT WITH ARM: 130 POUNDS

LIMITED 2/10 YEAR WARRANTY

DC SOLUTIONS, INC. WARRANTS ITS OPERATORS AGAINST DEFECTS IN MATERIALS AND WORKMANSHIP FOR 10 YEARS ON CHASSIS & COVER AND 2 YEARS ON THE ELECTRONICS AND MECHANISM. DETAILED TERMS AND EXCLUSIONS IS AVAILABLE UPON REQUEST. BATTERIES NOT INCLUDED IN WARRANTY

(REQUIRES TWO 7 AMP 12 VDC BATTERIES - NOT INCLUDED)

INCLUDES INTERLOCK FEATURE • DELAYS MEGA ARM UNIT UNTIL SWING/SLIDE GATE FULLY OPENS

PATENTED DESIGN