



# HOLEMAKING

## Heavy Duty Piece Maker™ SS Knockout Sets for Stainless Steel

- Punch holes in 16 gauge to 10 gauge stainless steel
- Designed to split the slug into two pieces for easy removal
- Punches are manufactured from tool steel for high strength and long life
- Requires less force than conventional punches
- Compare with Greenlee® Slug-Splitter® Models 7307 and 7506\*



*Piecemaker™ SS Punches are designed to split the slug into two pieces for easy removal from die after punch completion*



All items including punches & dies will fit Greenlee® Knockout Sets!

**NEW**

**NEW**



**Model 160SS**



**Model 161SS**

Catalog Number	Description	Weight
160SS	1/2" to 2" Heavy Duty Piece Maker™ SS Knockout Set for Stainless Steel	11 lbs.
161SS	1/2" to 2" Heavy Duty Piece Maker™ SS Hydraulic Knockout Set for Stainless Steel	33 lbs.

\* Greenlee® and Slug-Splitter® are registered trademarks of Greenlee/Textron.



**Current Tools**  
FOR THE PROFESSIONAL ELECTRICIAN

[www.currenttools.com](http://www.currenttools.com)

P.O. Box 17026 • Greenville, SC 29606 • 864.244.1201 • fax 864.244.5860 • 800.230.5421

# HOLEMAKING



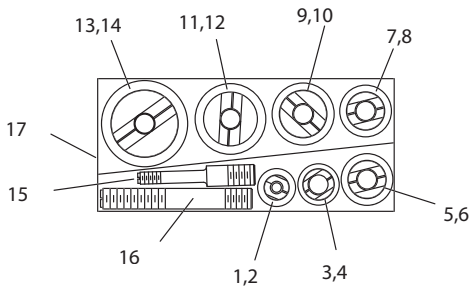
## Heavy Duty Piece Maker™ SS Knockout Sets

**NEW**

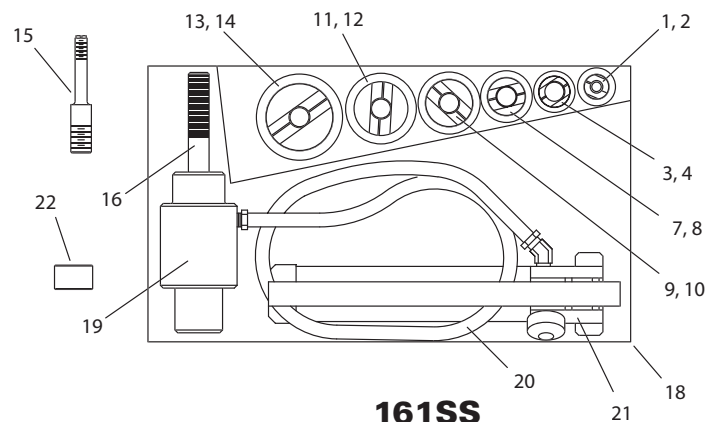
Item Number	Catalog Number	Description	#160SS	#161SS
1	1536	1/2" SS Punch	1	1
2	1537	1/2" SS Die	1	1
3	1538	3/4" SS Punch	1	1
4	1539	3/4" SS Die	1	1
5	1540	1 7/32" SS Punch	1	
6	1541	1 7/32" SS Die	1	
7	1542	1" SS Punch	1	1
8	1543	1" SS Die	1	1
9	1544	1 1/4" SS Punch	1	1
10	1545	1 1/4" SS Die	1	1
11	1546	1 1/2" SS Punch	1	1
12	1547	1 1/2" SS Die	1	1
13	1548	2" SS Punch	1	1
14	1549	2" SS Die	1	1
15	1574	3/4" - 7/16" x 4 1/4" SS Draw Stud	1	1
16	1575	3/4" x 5 1/2" SS Draw Stud	1	1
17	1600	Metal Case - 160SS	1	
18	1500	Metal Case - 161SS		1
19	1522	Ram		1
20	1523	1/4" x 3' Hydraulic Hose		1
21	1521	Hydraulic Hand Pump		1
22	1553	Spacer - S		1



*Piece Maker™ SS Punches are designed to split the slug into two pieces for easy removal from die after punch completion*



**160SS**



**161SS**

[www.currenttools.com](http://www.currenttools.com)

P.O. Box 17026 • Greenville, SC 29606 • 864.244.1201 • fax 864.244.5860 • 800.230.5421

**Current Tools** FOR THE PROFESSIONAL ELECTRICIAN