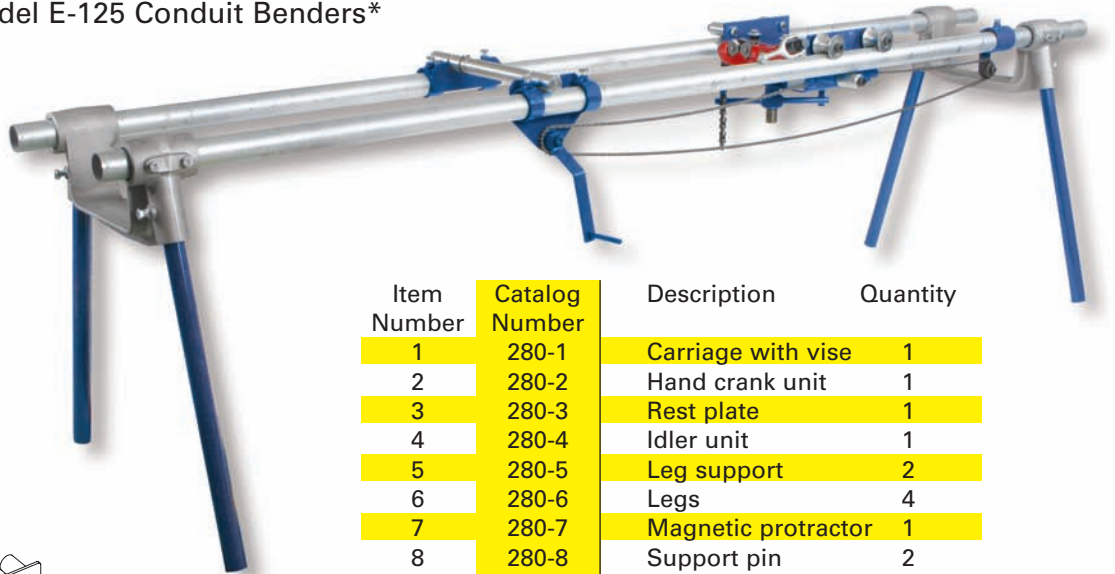




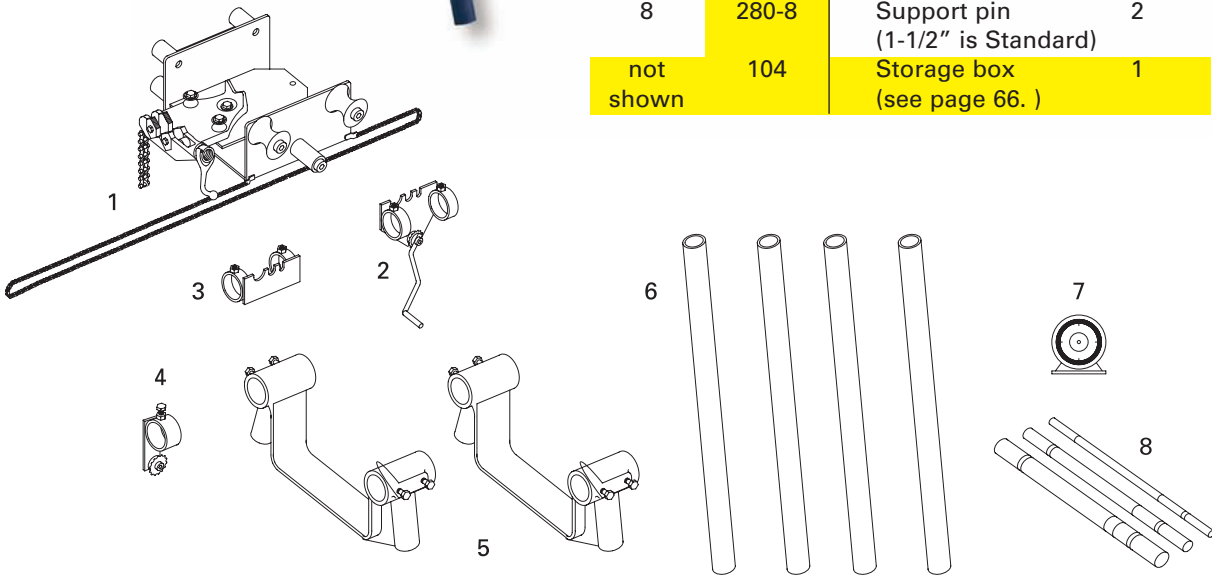
BENDING

280 Bending Table

- Keeps bender off of the floor and at a comfortable working height
- Fast, easy set-up
- Reduces operator fatigue
- For use with Greenlee®
Models 885, 884, 883, 880, 777 and
Ensley® Model E-125 Conduit Benders*



Item Number	Catalog Number	Description	Quantity
1	280-1	Carriage with vise	1
2	280-2	Hand crank unit	1
3	280-3	Rest plate	1
4	280-4	Idler unit	1
5	280-5	Leg support	2
6	280-6	Legs	4
7	280-7	Magnetic protractor	1
8	280-8	Support pin (1-1/2" is Standard)	2
not shown	104	Storage box (see page 66.)	1



Catalog Number	Description	Weight
280	280 Bending Table For use with Greenlee® No. 885, 884, 883, 880, 777 and Ensley® No. E-125 conduit benders	183 lbs.

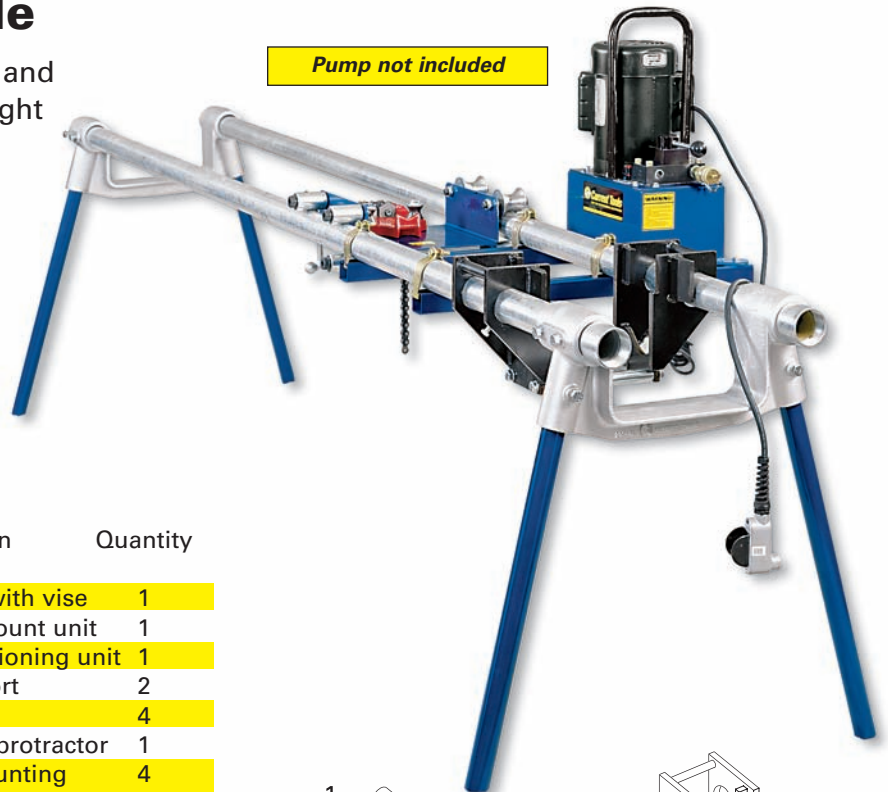
* Greenlee® is a registered trademark of Greenlee/Textron. Ensley® is a registered trademark of Rothenberger Group.



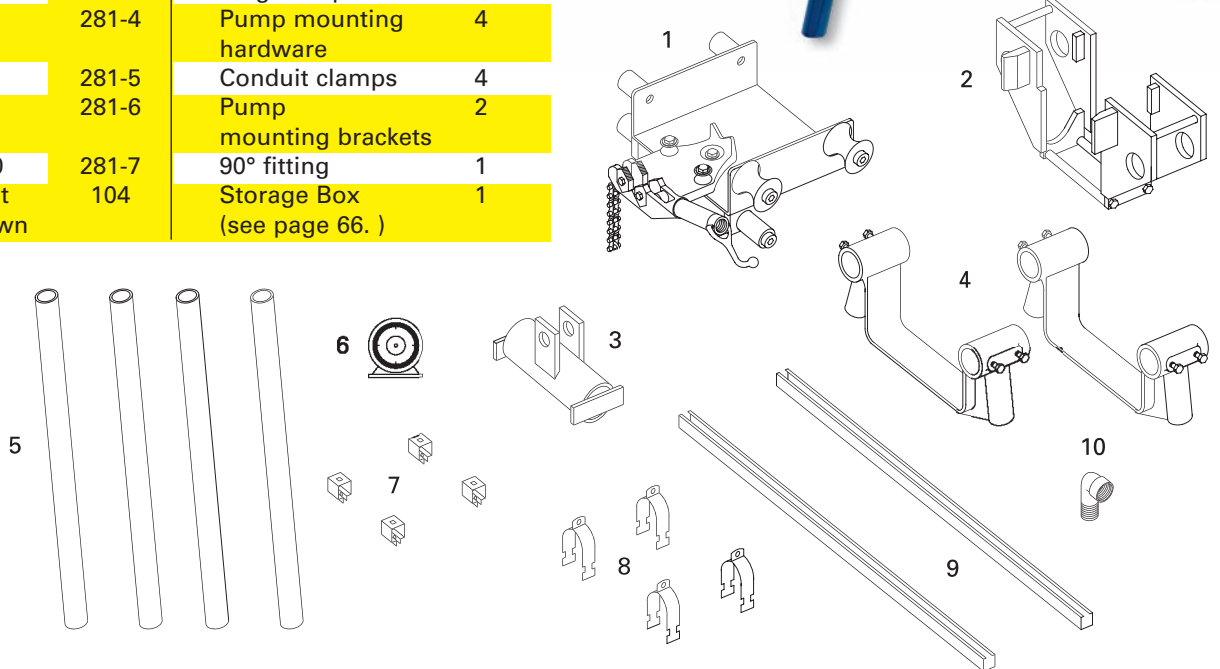


281 Bending Table

- Keeps bender off of the floor and at a comfortable working height
- Fast, easy set-up
- Reduces operator fatigue
- For use with Greenlee® Models 881 and 881 CamTrack® Benders*



Item Number	Catalog Number	Description	Quantity
1	281-1	Carriage with vise	1
2	281-2	Bender mount unit	1
3	281-3	Ram positioning unit	1
4	280-5	Leg support	2
5	280-6	Legs	4
6	280-7	Magnetic protractor	1
7	281-4	Pump mounting hardware	4
8	281-5	Conduit clamps	4
9	281-6	Pump mounting brackets	2
10	281-7	90° fitting	1
not shown	104	Storage Box (see page 66.)	1



Catalog Number	Description	Weight
281	281 Bending Table For use with Greenlee® No. 881 and 881 Cam Track® Benders	188 lbs.

* Greenlee® and Cam Track® are registered trademarks of Greenlee/Textron.